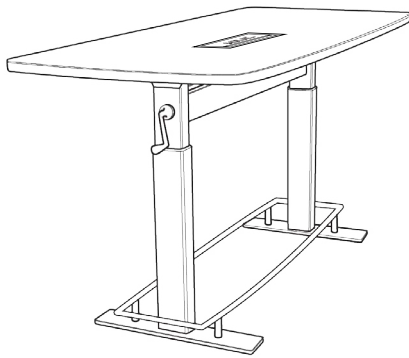


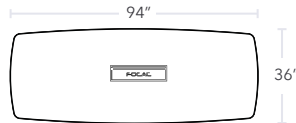
CONFLUENCE 8: SPECS + FEATURES

Standing-Height Conference Table for Medium/Large Teams



Tabletop dimensions
Height-adjustable

L 94" x W 36"
H 36" - 48"



FINISHES



Glacier White
Laminate



Black Matte
Laminate



Dry Erase
Markerboard



White Oak
Veneer
(special order)



Black Walnut
Veneer
(special order)

MATERIALS

| COMPONENT | MATERIAL |
|-----------------------------|---|
| Table Top | 18-Layer, 1" Hardwood plywood; NAUF ply available. Three layers of polyurethane varnish on veneers. Made in USA |
| Power Cable Hatch | Anodized aluminum |
| Cable Management Tray | Bent and powder-coated steel |
| Height-Adjustment Handle | Powder-coated cast zinc |
| Height-Adjustment Mechanism | Hardened steel and recyclable aluminum |
| Table Legs | Powder-coated extruded recyclable aluminum |
| Table Feet | Powder-coated steel plate |
| Foot Rest Rail | Bent tubular steel |

FEATURES

- Foot Rest for additional support
- Rated to hold up to 300 lbs
- Table Top and Cable Management Tray made in USA
- Power Cable Hatch made in Germany
- Height-Adjustment Handle has a 1:1 lifting ratio, one turn equal to 1/8"
- Anodized aluminum cable hatch allows computer and AV power cords to cleanly disappear down to your power strip below
- Limited lifetime warranty

USAGE

- Conference rooms
- Huddle rooms
- War rooms
- Renovated cubicles
- And more!

SHIPPING DETAILS

Ships flat packed in three boxes. Some assembly required. Ships by freight.

Box #1 - L 37" x W 55" x H 7", weight 42 lbs.

Box #2 - L 62" x W 75" x H 18.5", weight 61 lbs.

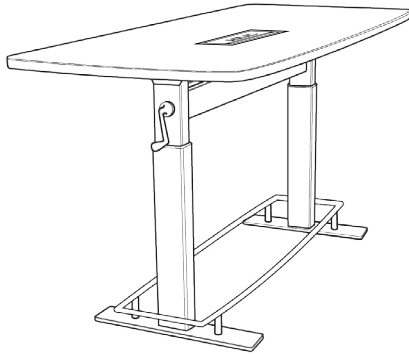
Box #3 - L 81" x W 37.5" x H 4", weight 84 lbs.



www.focalupright.com

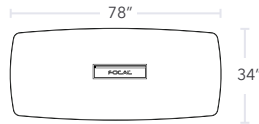
CONFLUENCE 6: SPECS + FEATURES

Standing-Height Conference Table for Small/Medium Teams



Tabletop dimensions
Height-adjustable

L 78" x W 34"
H 36" - 48"



FINISHES



Glacier White
Laminate



Black Matte
Laminate



Dry Erase
Markerboard



White Oak
Veneer
(special order)



Black Walnut
Veneer
(special order)

MATERIALS

| COMPONENT | MATERIAL |
|-----------------------------|--|
| Table Top | 18-Layer, 1" Hardwood plywood; NAUF ply available. Three layers of polyurethane varnish on veneers. Made in USA. |
| Power Cable Hatch | Anodized aluminum |
| Cable Management Tray | Bent and powder-coated steel |
| Height-Adjustment Handle | Powder-coated cast zinc |
| Height-Adjustment Mechanism | Hardened steel and recyclable aluminum |
| Table Legs | Powder-coated extruded recyclable aluminum |
| Table Feet | Powder-coated steel plate |
| Foot Rest Rail | Bent tubular steel |

FEATURES

- Foot Rest for additional support
- Rated to hold up to 300 lbs
- Table Top and Cable Management Tray made in USA
- Power Cable Hatch made in Germany
- Height-Adjustment Handle has a 1:1 lifting ratio, one turn equal to 1/8"
- Anodized aluminum cable hatch allows computer and AV power cords to cleanly disappear down to your power strip below
- Limited lifetime warranty

USAGE

- Conference rooms
- Huddle rooms
- War rooms
- Renovated cubicles
- And more!

SHIPPING DETAILS

Ships flat packed in three boxes. Some assembly required. Ships by freight.

Box #1 - L 37" x W 55" x H 7", weight 42 lbs.

Box #2 - L 62" x W 75" x H 18.5", weight 61 lbs.

Box #3 - L 81" x W 37.5" x H 4", weight 84 lbs.

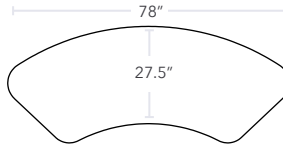
SPHERE DESK: SPECS + FEATURES

The Executive Standing Desk



Desktop dimensions
Height-adjustable
Weight

L 27.5" x W 78"
H 36" - 48"
95 lbs



FINISHES



Glacier White
Laminate



Black Matte
Laminate



White Oak
Veneer



Black Walnut
Veneer

MATERIALS

| COMPONENT | MATERIAL |
|-----------------------------|---|
| Desk Top | 13-Layer, 0.75" Hardwood plywood, NAUF plywood available. Three layers of polyurethane varnish on veneers. Made in USA. |
| Work Surface Mat | Synthetic leather work surface. Non-PVC material. Removable. |
| Cup Holders | Powder-coated aluminum |
| Desktop Bracket | Powder-coated steel |
| Height Adjustment Handle | Powder-coated cast zinc |
| Height Adjustment Mechanism | Hardened steel and aluminum |
| Angle Adjustment Handles | Powder-coated cast aluminum with steel insert |
| Lower Floor Leg | Powder-coated cast recyclable aluminum |
| Desk Legs | Powder-coated extruded recyclable aluminum |

FEATURES

- Desktop angle ranges from flat to 15°
- Desktop angle adjusts by releasing handles on sides of desk frames
- Cup holders removable to hold custom Konzept light base
- Height Adjustment Handle has a 1:2 lifting ratio. One turn equals 0.25"
- Height Adjustment Mechanism is a German spindle/bevel gear system. Rated to hold up to 180 lbs.
- Limited lifetime warranty

USAGE

- Home offices
- Executive offices
- Corporate offices
- Open offices
- Co-working spaces
- And more!

SHIPPING DETAILS

Ships flat packed in two separate boxes.

Box #1 - L 82" x W 36" x H 3", weight 40 lbs.

Box #2 - L 50" x W 40" x H 9", weight 66 lbs.

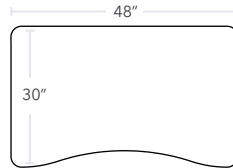
LOCUS DESK: SPECS + FEATURES

Signature Standing Desk



Desktop dimensions
Height-adjustable
Weight

L 30" x W 48"
H 36" - 48"
90 lbs



FINISHES



Glacier White
Laminate



Black Matte
Laminate



White Oak
Veneer



Black Walnut
Veneer

MATERIALS

| COMPONENT | MATERIAL |
|-----------------------------|---|
| Desk Top | 13-Layer, 0.75" Hardwood plywood, NAUF plywood available. Three layers of polyurethane varnish on veneers. Made in USA. |
| Work Surface Mat | Synthetic leather work surface. Non-PVC material. Removable. |
| Cup Holders | Powder-coated aluminum |
| Desktop Bracket | Powder-coated steel |
| Height Adjustment Handle | Powder-coated cast zinc |
| Height Adjustment Mechanism | Hardened steel and aluminum |
| Angle Adjustment Handles | Powder-coated cast aluminum with steel insert |
| Lower Floor Leg | Powder-coated cast recyclable aluminum |
| Desk Legs | Powder-coated extruded recyclable aluminum |

FEATURES

- Desktop angle ranges from flat to 15°
- Desktop angle adjusts by releasing handles on sides of desk frames
- Cup holders removable to hold custom Konzept light base
- Height Adjustment Handle has a 1:2 lifting ratio. One turn equals 0.25"
- Height Adjustment Mechanism is a German spindle/bevel gear system. Rated to hold up to 180 lbs.
- Limited lifetime warranty

USAGE

- Home offices
- Corporate offices
- Open offices
- Co-working spaces
- And more!

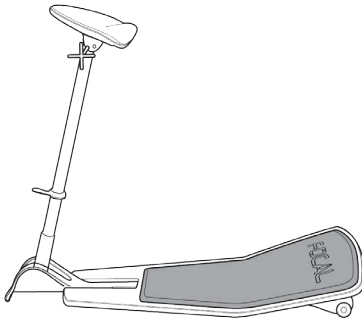
SHIPPING DETAILS

Ships flat packed. Some assembly required. Shipping weight is 102 lbs.

Box dimensions - L 50" x W 50" x H 9"

LOCUS SEAT: SPECS + FEATURES

The Iconic Standing Desk Seat



Shortest position
Tallest position
Storage or transportation

L 37" x W 25.5" x H 31"
L 45" x W 25.5" x H 41"
L 37" x W 25.5" x H 8.3"

FINISHES

SEAT CUSHION OPTIONS



Citrus



Chili
Pepper



Black



Black
Nubuck

SEAT BASE OPTIONS



Matte
Black



Glacier
White

MATERIALS

| COMPONENT | MATERIAL |
|------------------------|---|
| Contoured Seat Pan | Fiberglass-reinforced nylon |
| Contoured Seat Cushion | EVA Foam |
| Pivoting Seat Leg | Powder-coated, anodized extruded aluminum |
| Gas Piston Cylinder | Steel |
| Leg Bushings | Delrin™ with limiter |
| Leg Base Shroud | Nylon |
| Leg Base | Powder-coated steel with rubber gasket |
| Leg Pivot Joint | Brass and high-carbon steel |
| Base Platform | 13-layer, 0.75" Hardwood plywood. NAUF plywood available; Steel adjustment T-nut; Made in USA |
| Wheel Bracket | Powder-coated steel |
| Wheels | High density polyurethane |

FEATURES

- Height-adjustable Pivoting Seat Leg
- Gas Piston Cylinder rated to hold up to 300 lbs.
- Leg Bushings provide smooth leg extension
- Leg Base Shroud limits side-to-side movement
- Leg Base houses patent-pending leg/base joint
- Leg Pivot Joint has a range of motion 15° laterally and from 5° forward of vertical to 90° forward for storage
- Wheels for easy portability
- Can comfortably accommodate a person ranging in height from 4'11" to 6'10"
- Limited lifetime warranty

USAGE

Works in home and corporate offices with any standing desk or height-adjustable work surface.

SHIPPING DETAILS

Ships flat packed. Some assembly required. Anti-fatigue mat sold and shipped separately.

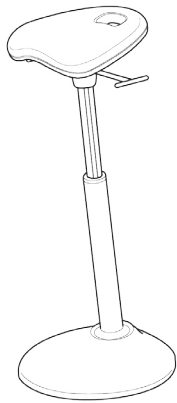
Box is L 40" x W 27" x H 10", weight is 41 lbs.



www.focalupright.com

MOBIS SEAT: SPECS + FEATURES

Perching Stool



Height
Base Footprint
Weight

25-35"
16" ellipse
15 lbs.

SEAT CUSHION OPTIONS



Citrus



Chili
Pepper



Cobalt



Black

MATERIALS

| COMPONENT | MATERIAL |
|---------------------------|---|
| Contoured Seat Pan | Fiberglass-reinforced nylon |
| Contoured Seat Cushion | EVA Foam |
| Pivoting Seat Leg | Powder-coated, anodized extruded aluminum |
| Gas Piston Cylinder | Steel |
| Leg Bushings | Delrin™ with limiter |
| Base Shroud | Fiberglass-reinforced nylon |
| Leg Base | Injected glass-reinforced nylon, cast aluminum, high-durometer rubber and high carbon steel |
| Leg Pivot Joint | Brass and high-carbon steel |
| Base Plate Grip Ring | Low-durometer rubber |
| Height-Adjustment Handles | Plated cast zinc |

FEATURES

- Height-adjustable from 25"-35"
- Rated to hold up to 300 lbs.
- Leg bushings provide smooth leg extension, allows 90° rotation
- Leg base anchors seat and softens movement of the leg
- Leg pivot joint's range of motion is 10° laterally and from vertical to 12° forward. Home position is 5° forward of vertical
- Base plate grip ring prevents slippage
- Height-adjustment handles allow the seat to be lowered or raised depending on height or preference
- Limited lifetime warranty

USAGE

- Home offices
- Corporate offices
- Open offices
- Conference rooms
- Co-working spaces
- Retail environments
- Medical settings
- Laboratories
- Manufacturing environments
- And more

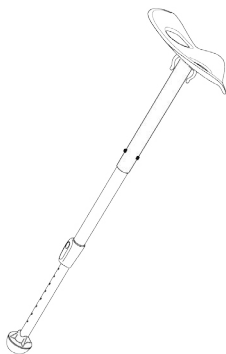
SHIPPING DETAILS

Ships fully assembled.

Box is L 31" x W 18" x H 18", weight is 26 lbs.

MOGO SEAT: SPECS + FEATURES

Leaning Travel Seat for On-the-Go



Fully retracted length
Fully extended length
Seat dimensions
Weight

18.5"
38"
W 14.5" x L 8"
2.5 lbs.

SEAT CUSHION OPTIONS



Black



Chili
Pepper

MATERIALS

| COMPONENT | MATERIAL |
|-------------------------|---|
| Contoured Seat Pan | Fiberglass-reinforced nylon |
| Contoured Seat Cushion | EVA Foam |
| Reversible Rubber Foot | Soft durometer rubber foot with fiberglass reinforced nylon turf tip |
| Adjustment Mechanisms | Macro: Double button V-clip Micro: Spring-loaded plastic button with stainless pin |
| Red Fabric Carrying Bag | Non-woven synthetic with Focal logo |
| Telescoping Leg | Anodized extruded recyclable aluminum |

SHIPPING DETAILS

Ships fully assembled.

Box is L 18.5" x W 9" x H 5", weight is 4 lbs.

FEATURES

- Contoured seat pan reinforced with fiberglass for stiffness
- Contoured seat cushion snaps onto seat pan for added comfort. Available in two color options
- Reversible rubber foot easily screws onto leg to adapt to hard or soft surfaces
- Suitable for indoor or outdoor use
- Adjustment mechanisms allow for users up to 6'2" tall
- Includes easy storage and carrying pouch
- Rated to hold up to 300 lbs.
- One year warranty

USAGE

- Home offices
- Corporate offices
- Open offices
- Conference rooms
- Co-working zones
- On the golf course
- On the soccer sidelines
- And more



www.focalupright.com